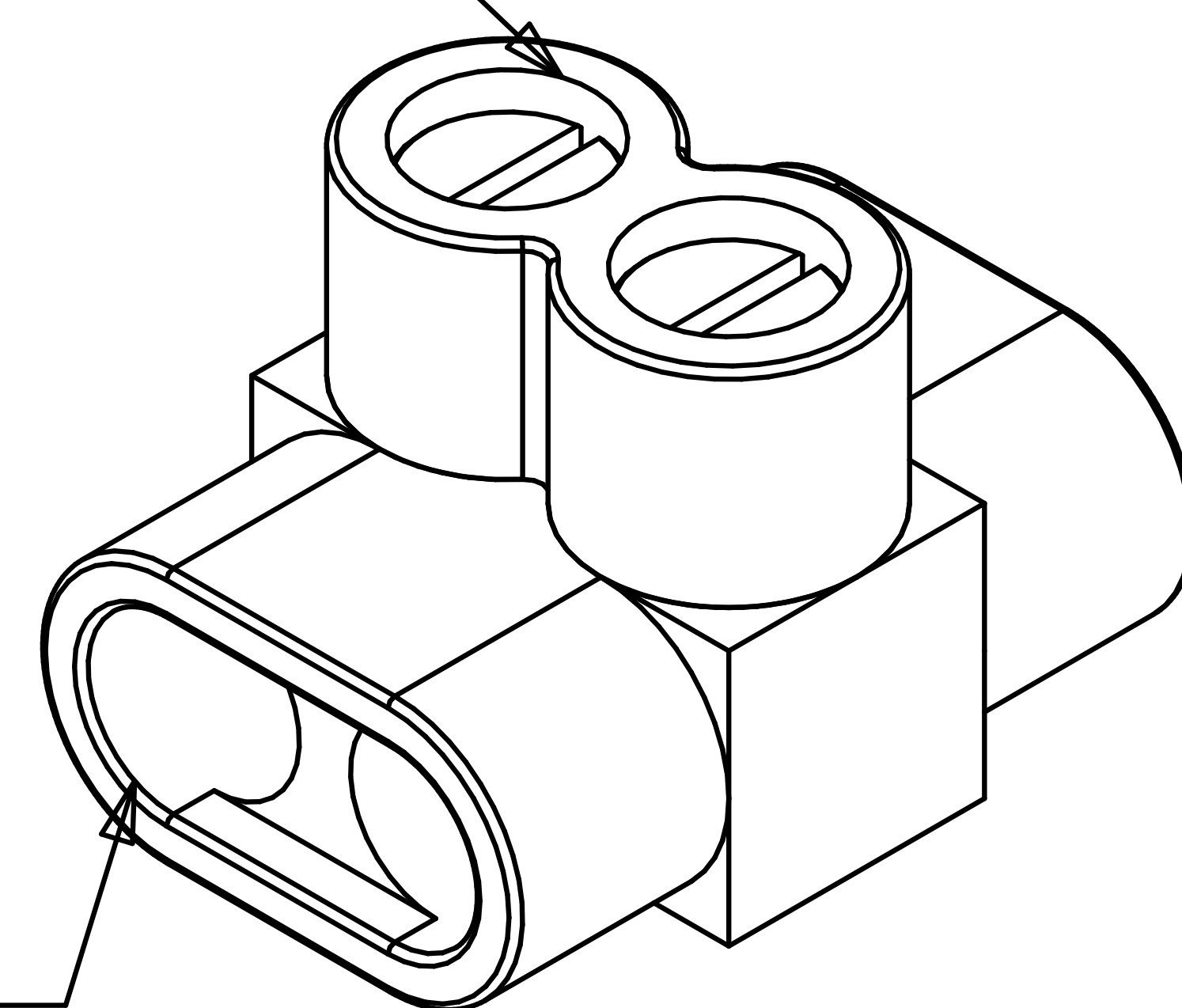
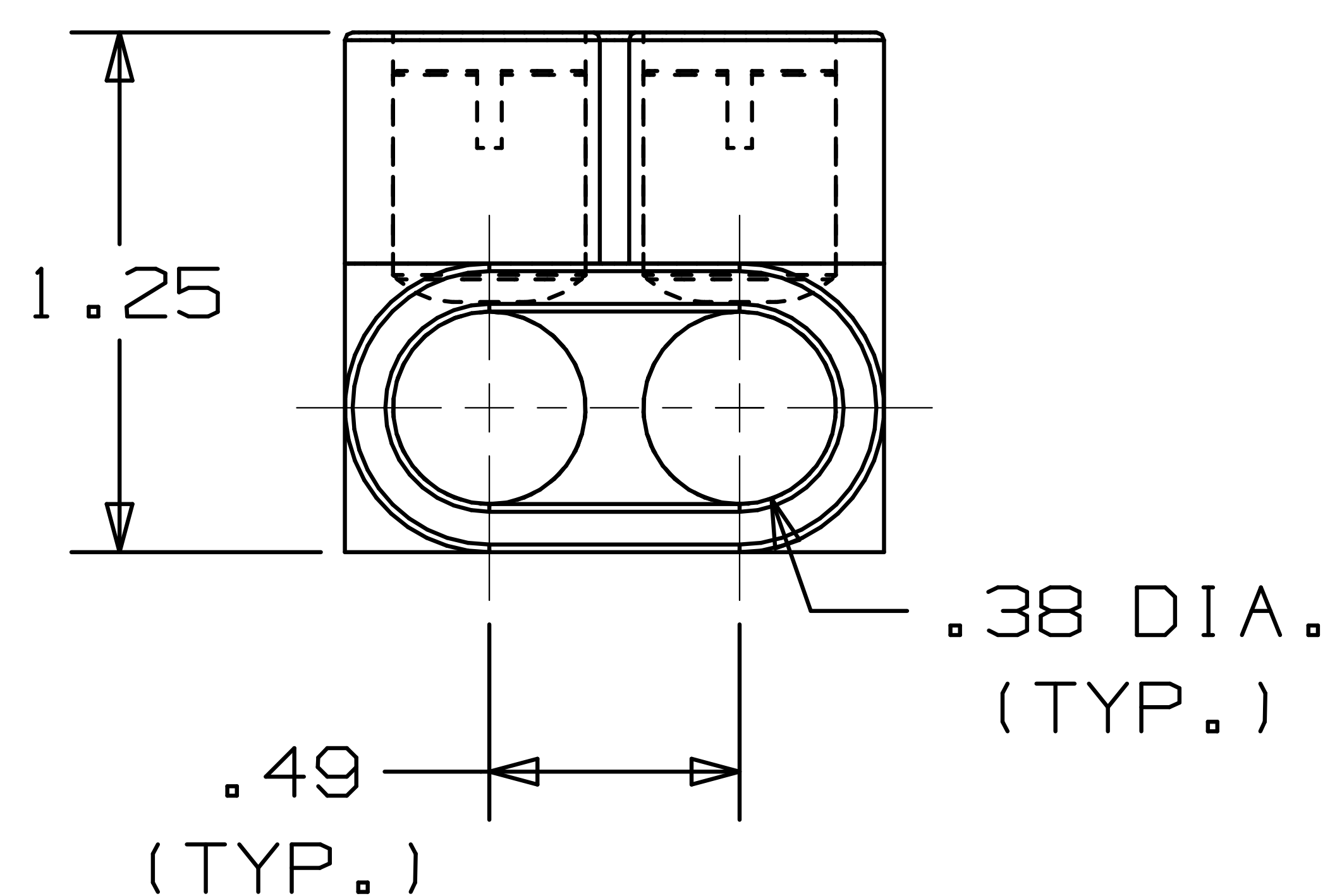


CLAMPING SCREW  
ACCESS PORT  
(TYP)



CONDUCTOR  
PORT  
(TYP)

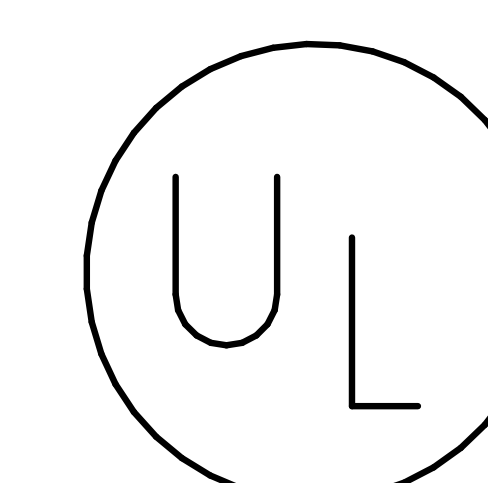
TWO PORT CONNECTOR BLOCK SHOWN  
WITH PLASTIC CLOSURE PLUGS  
REMOVED. SEE TABLE FOR DIMENSIONS  
OF PARTS WITH ADDITIONAL PORTS.



NOTES:

1. UL 486B LISTED. DUAL RATED CU9AL FOR ALUMINUM OR COPPER CONDUCTORS. MEETS OR EXCEEDS ANSI C119.4
2. WIRE RANGE: #4-#14 AWG STR, #10-#14 AWG SOL. ONLY ONE CONDUCTOR PER PORT ALLOWED
3. STRIP LENGTH: .50 +.06/-0
4. TIGHTENING TORQUE  
#6-#4 AWG: 45 IN-LB  
#8 AWG: 40 IN-LB  
#14-#10 AWG: 35 IN-LB
5. VOLTAGE RATING: 600 V. MAX. BUILDING WIRE, 1000 V. MAX. IN SIGNS & FIXTURES.
6. TEMPERATURE RATING: 90° C.
7. CONNECTOR BLOCK BODY IS MADE FROM ALUMINUM. CLAMPING SCREWS (SLOTTED) ARE MADE FROM PLATED STEEL. PORTS IN CONNECTOR BLOCK ARE PREFILLED WITH AN OXIDE-INHIBITING COMPOUND.
8. INSULATION MATERIAL IS CLEAR PVC.
9. CLAMPING SCREW ACCESS PORTS AND ALL WIRE ENTRY PORTS ARE PROVIDED WITH REMOVABLE PLASTIC CLOSURE PLUGS.
10. ALL DIMENSIONS SHOWN ARE NOMINAL.
11. PACKAGE QTY: -12Y = 12 PCS.  
-6Y = 6 PCS.  
-4Y = 4 PCS.
12. THIS PART IS ROHS COMPLIANT.

PART NUMBER	# CONDUCTOR PORTS	DIM "L"
PCSB4-2-12Y	2	1.16
PCSB4-3-12Y	3	1.64
PCSB4-4-6Y	4	2.13
PCSB4-5-6Y	5	2.62
PCSB4-6-6Y	6	3.10
PCSB4-7-4Y	7	3.59
PCSB4-8-4Y	8	4.08



LISTED  
509D

C41573\_01

								<b>PANDUIT</b> CORP. TINLEY PARK, ILLINOIS			
01	3/06	JHNU	LEM	REVISED ROHS NOTE	PC00334	MULTI-TAP INSULATED CONNECTORS PCSB 4 SERIES					
00	2/06	JHNU	LEM	DRAWING RELEASED - ROHS COMPLIANT	PC00299						
REV	DATE	BY	CHK	DESCRIPTION	ECN #	CUST	PM	DRAWN BY JHNU	CHK'D	SCALE N/A	DRAWING NO. C41573